

The World's Most Trusted Industrial Torque and Tension Systems

ICE™ Tool

Square Drive Torque/Tension Wrench



- Anti Backlash Design
- 360° Uni-swivel
- Simultorc-Switch
- New Ergonomic Design
- 3 times faster than prior art
- 300,000 psi Alloy-mechanism
- Torsion-free internal Mechanism
- Upgradeable for Stretch-to-load!

The HYTORC ICE™ square drive torque/tension bolting machine is equipped with inter-changeable, interacting, coaxial driving and holding sockets for a 360 degree tool fit, and an automatic secondary pawl release without need of external lever.

Consistent Bolt Load Accuracy

When used with the HYTORC Nut, the ICE is the only tensioner in the world that achieves a consistent bolt load accuracy of $\pm 5\%$.



24 Hour SERVICE

877-GO-JETYPD

www.jetyd.com

JETYPD®
CORPORATION

120 WESLEY ST., SO. HACKENSACK NJ 07606

ACCESSORIES



FIELDCHECK

Calibration of your tools just got more convenient! Verify the torque output of your tools, on the job site, instantly with the NEW FIELDCHECK!



SOCKETS

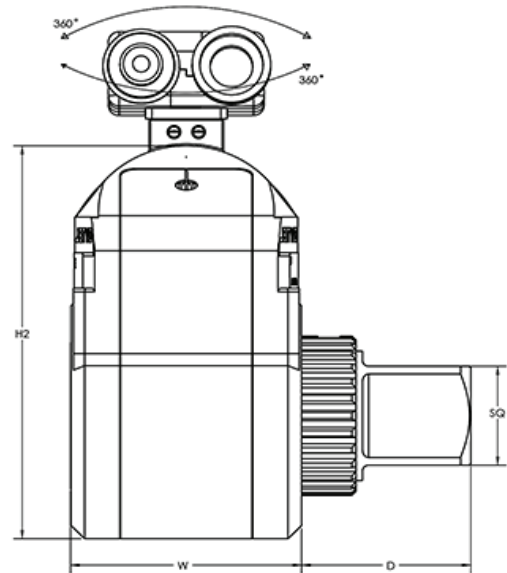
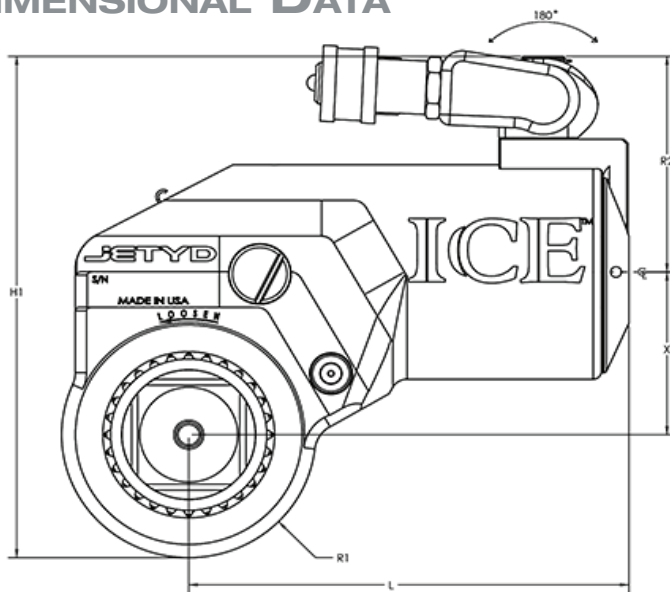
Impact and torque assert different stress loads to sockets. Male and female, Hex and Allen sockets, in all sizes and configurations. The difference is quality and instant availability.



REACTION FIXTURES

Standard & customized reaction fixture solutions for every type of application.

DIMENSIONAL DATA



Model	DRIVE	R1	R2	D	W	X	L	H1	H2
Inches/mm									
ICE-1	3/4"	1.13/28.7	2.35/59.69	1.34/34.04	2.18/55.37	1.54/39.12	4.43/112.52	5.02/127.51	3.70/93.98
ICE-3	1"	1.50/38.1	3.00/76.2	1.85/46.99	2.89/73.41	2.05/52.07	5.55/140.97	6.55/166.37	4.91/124.71
ICE-5	1 1/2"	1.86/47.24	3.27/83.06	2.48/62.99	3.39/86.11	2.47/62.74	6.45/163.83	7.60/193.04	5.95/151.13
ICE-11*	1 1/2"	2.38/60.45	3.99/101.35	2.67/67.82	4.35/110.49	3.15/80.01	8.34/211.84	9.52/241.81	7.56/192.02
ICE-21*	2 1/2"	2.60/66.04	4.42/112.27	3.78/96.01	5.70/144.78	3.75/95.25	9.65/245.11	10.77/273.56	8.80/223.52
ICE-35*	2 1/2"	3.19/81.03	5.00/127	3.90/99.06	6.51/165.35	4.61/117.09	11.68/296.67	12.81/325.37	10.84/275.34

*Coming Soon. All dimensions, torque and design parameters may vary without notice due to design improvements and no claims will be entertained in this regard.